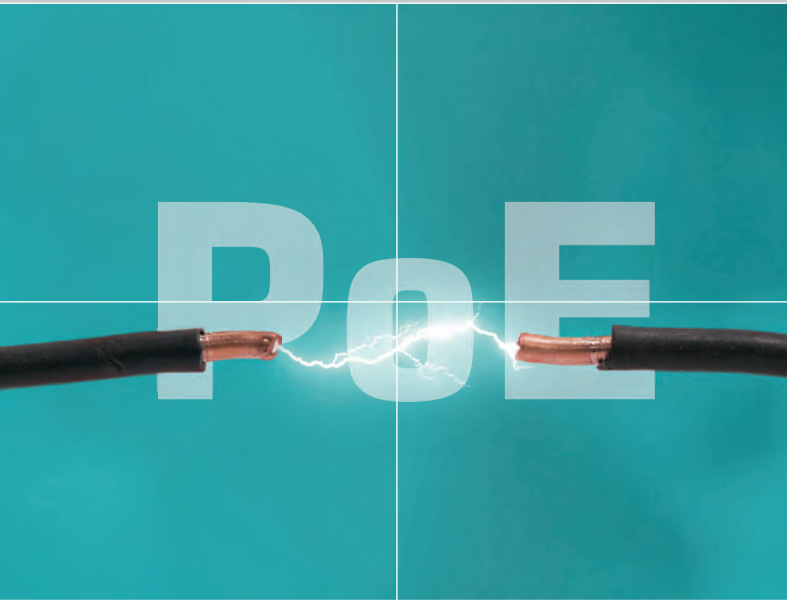
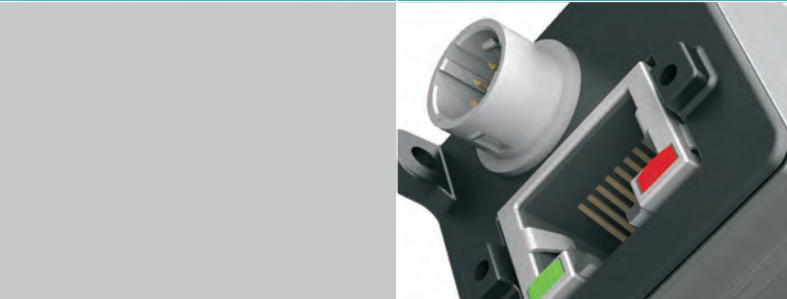


Preliminary information



GigE uEye[®] CP



Brilliant images thanks to
state-of-the-art CMOS sensors

Power supply via Power over GigE
or a 12-24V external power source

GigE uEye® CP



Ultra-compact with GigE Plug & Play and PoE

The GigE uEye CP boasts the performance of a modern industrial camera in the tiniest of packages. This camera line is characterized by its ultra-compact design, paired with GigE technology and state-of-the-art CMOS sensors. Resolutions range from WideVGA (752 x 480) to 5 Megapixels. Power can be supplied over the data cable via Power over Gigabit Ethernet (PoE). Alternatively, an external 12-24 V power supply can be used.

The GigE uEye CP, like all other uEye camera models, comes complete with the powerful, tried-and-tested uEye software package and plug & play functionality, as always. Thanks to their automatic configuration capability, these camera models can also be used with the GigE interface right away, while software tools like the Camera Manager and the uEye Demo facilitate quick camera integration.



Both the data (GigE) and the I/O/power connections can be locked. Power can be supplied either via PoE or externally.



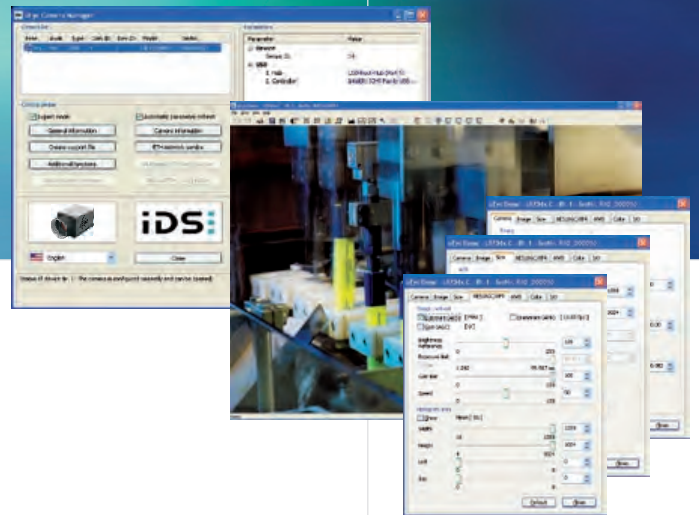
The GigE uEye CP features a C-mount for lenses and offers a host of different filter types (IR, daylight-cut filter or glass).

Firmware upload philosophy

The modular uEye concept can also be found in our software: All necessary drivers are only loaded into the camera after it has been connected. With regularly released updates the functionality can thus be enhanced even for already installed cameras.

	Resolution	Framerate	Sensor	Shutter	B/W	Color	Model
up to 1 Megapixel							
WVGA	752 x 480	100 fps	1/3" Aptina CMOS	global	x	x	UI-5220CP
1 to 2 Megapixel							
1.3 Mpixel	1280 x 1024	50 fps	1/2" E2V CMOS	global	x	x	UI-5240CP
over 2 Megapixel							
5 Mpixel	2560 x 1920	14 fps	1/2" Aptina CMOS	rolling; global start	x	x	UI-5480CP

Very Easy Integration Thanks to Comprehensive Software



Programming: SDK and Interfaces

With every uEye camera, you receive a comprehensive software package with drivers for Windows and Linux. Interfaces for various image processing packages, standard drivers such as DirectShow (WDM), a GenICam™ interface as well as our Software Development Kit (SDK) allow individual integration within a very short time.

Programming: Languages and libraries

To make integration as easy as possible and allow use of your familiar development environment, we support the following programming languages: C, C++, C#, Microsoft .NET and Visual Basic. We also provide 3rd party software drivers for Activision Tools, Common Vision Blox, HALCON, LabView, NeuroCheck and Vision Pro.

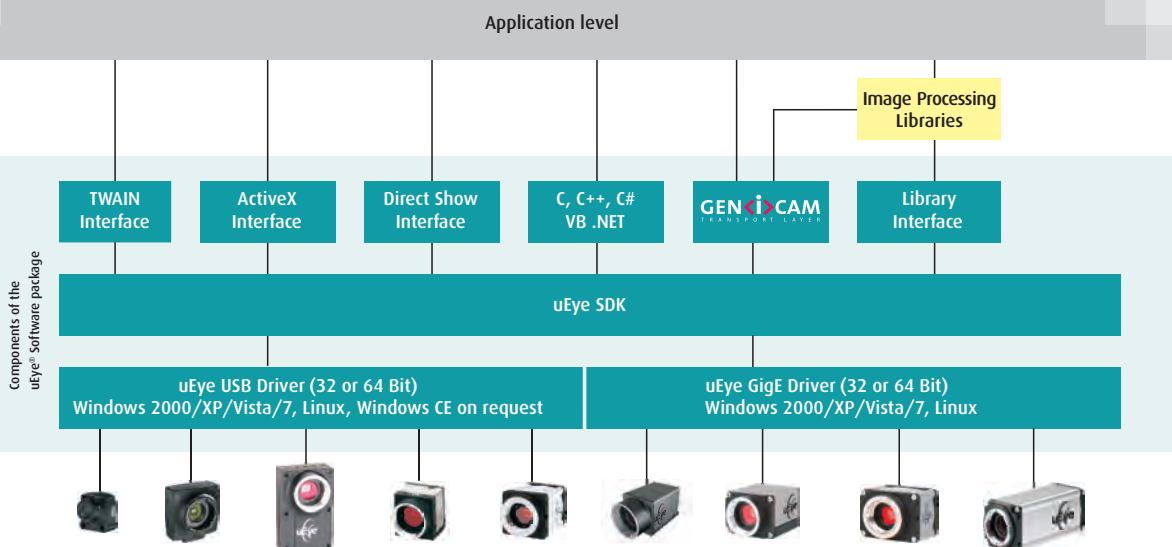
Tools: Easy configuration

The uEye Camera Manager is the central tool for managing all uEye connected to the system. An expert mode gives you additional details on the connected cameras. This central tool helps you avoid bottlenecks and achieve maximum performance.

Tools: uEye Demo

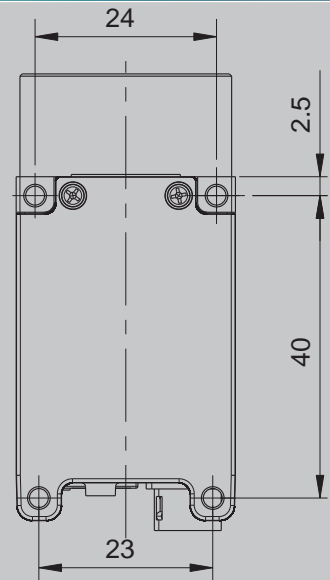
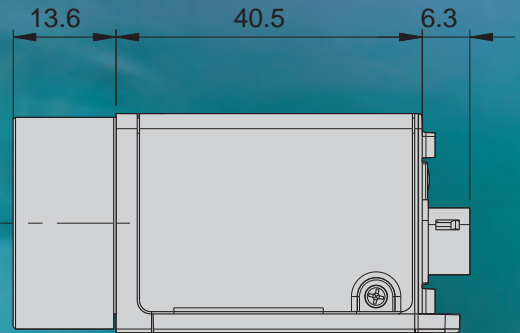
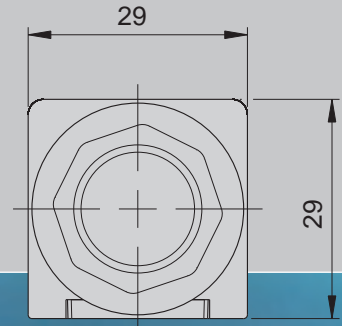
The supplied uEye demo program allows you to start acquiring images with your uEye camera in no time at all. It also allows you to perform image measurement and annotation, in addition to giving you all the tools to configure optimal camera settings for your application.

The uEye® Software



Key features at a glance

- Universal use with PC, Notebook, IPC and embedded systems with GigE interface
- Resolutions from WVGA (752 x 480) up to 5 Megapixel (2560 x 1920)
- High quality CMOS sensors
- Up to 100 full frames/sec., over 500 frames/sec. with AOI
- Power supply optionally via PoE or external 12-24V
- Digital input, opto-isolated, can be used for triggering
- Digital output, opto-isolated, can be used for flash control
- Ultra compact housing with C-Mount lens connector
- Single driver and SDK for all uEye cameras
- On-the-fly firmware upload approach ensures camera is always up to date
- 3rd party drivers for most common image processing software applications, including LabView, HALCON, Common Vision Blox and NeuroCheck
- GenICam™ interface



Scale 1:1 (GigE uEye CP)
3D CAD data on request



IDS

www.ids-imaging.com

IDS Imaging Development Systems GmbH
Dimbacher Straße 6-8
74182 Obersulm/Germany
Phone +49(0)7134/96196-0
Fax +49(0)7134/96196-99
E-Mail sales@ids-imaging.de

IDS Imaging Development Systems, Inc.
400 West Cummings Park, Suite 3400
Woburn, MA 01801, USA
Phone +1(781)787-0048
Fax +1(781)287-1258
E-Mail usasales@ids-imaging.com