

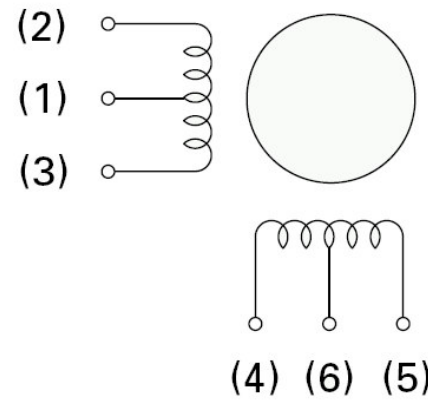


2-phase Stepping Motor

60mm sq. 103H782□
1.8°/step

Internal wiring

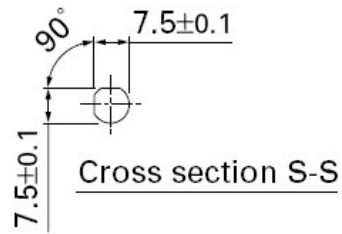
() connector pin number



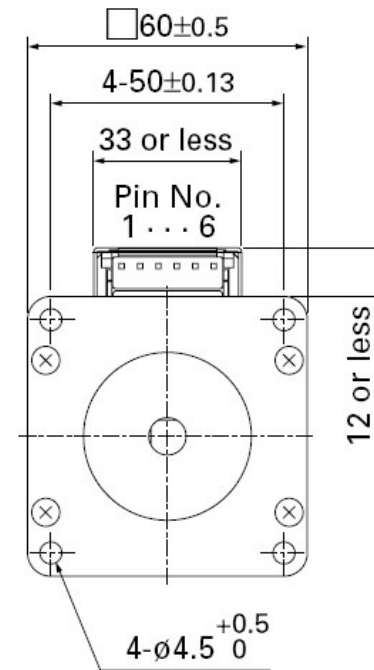
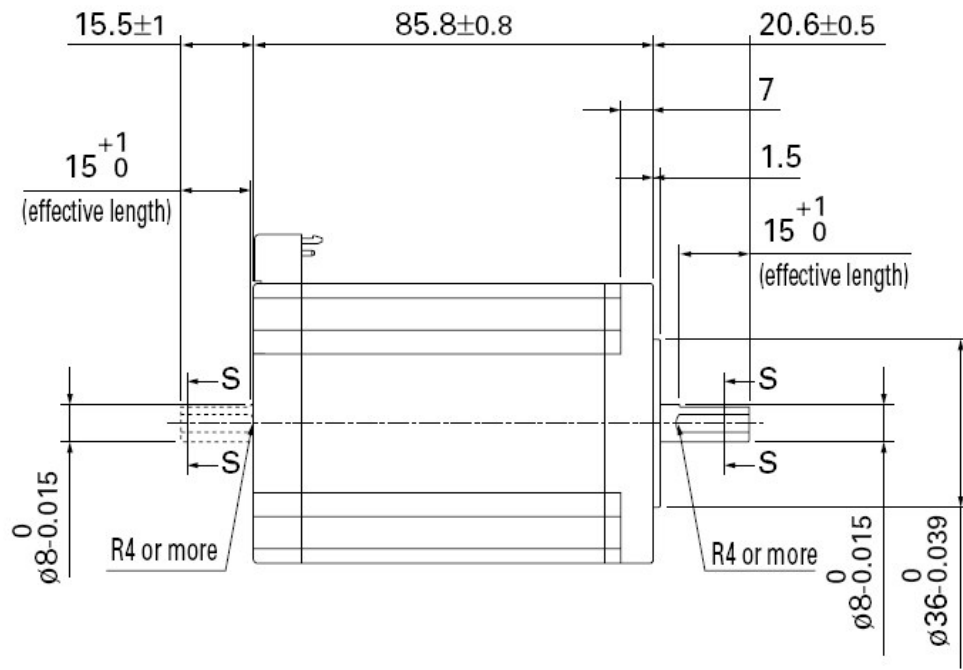
Specifications

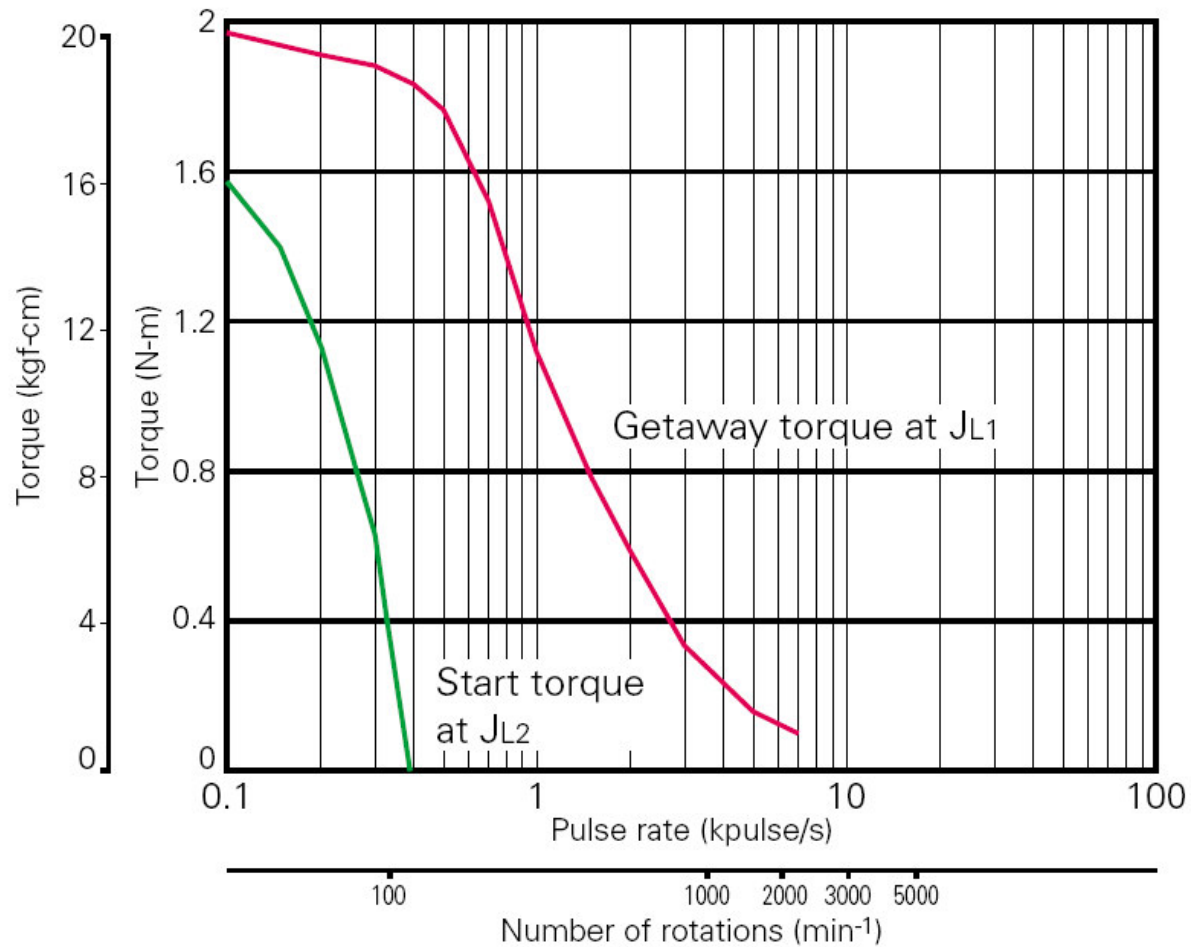
Unipolar winding

Model		Holding torque at 2-phase energization	Rated current	Wiring resistance	Wiring inductance	Rotor inertia	Weigh
One shaft	Two shafts	N.m or more	A/phase	Ω/phase	mH/phase	$\times 10^{-4} \text{kg} \cdot \text{m}^2$	kg
103H7823-0440	-0410	2.1	2	2.7	5.6	0.84	1.34



Applicable connector : JST Mfg.Co.,Ltd
 Connector : VHR-6N
 Terminal : SVH-21T-P1.5





Sanyo constant current circuit

Source voltage: DC24V Wiring current: 2A/phase, 2-phase energization (full-step)

$J_{L1} = 7.4 \times 10^{-4} \text{ kg} \cdot \text{m}^2$ (Uses rubber coupling)

$J_{L2} = 7.4 \times 10^{-4} \text{ kg} \cdot \text{m}^2$ (Uses direct coupling)