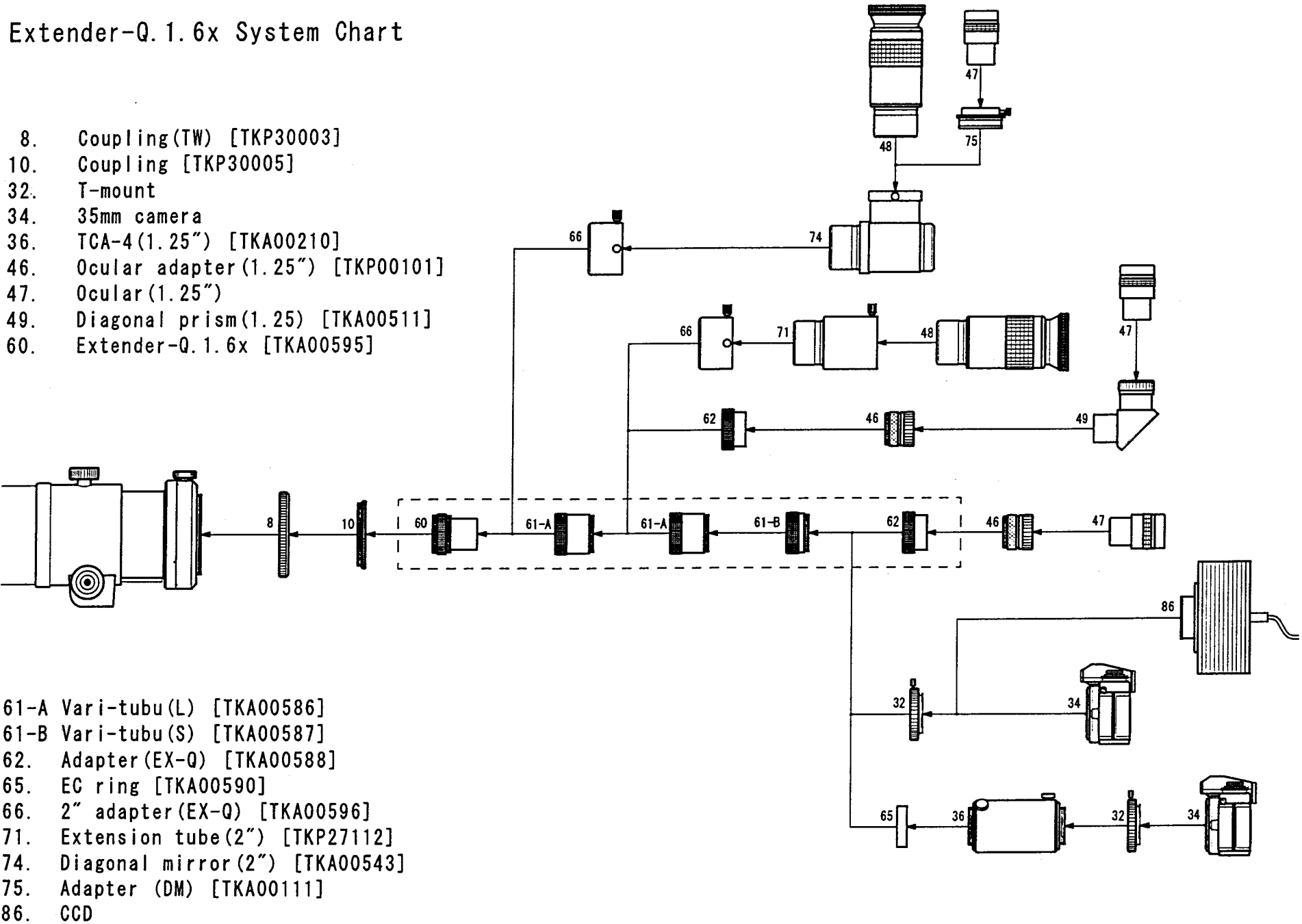


FSQ-106

Extender-Q.1.6x System Chart

- 8. Coupling (TW) [TKP30003]
- 10. Coupling [TKP30005]
- 32. T-mount
- 34. 35mm camera
- 36. TCA-4 (1.25") [TKA00210]
- 46. Ocular adapter (1.25") [TKP00101]
- 47. Ocular (1.25")
- 49. Diagonal prism (1.25) [TKA00511]
- 60. Extender-Q.1.6x [TKA00595]



- 61-A Vari-tubu (L) [TKA00586]
- 61-B Vari-tubu (S) [TKA00587]
- 62. Adapter (EX-Q) [TKA00588]
- 65. EC ring [TKA00590]
- 66. 2" adapter (EX-Q) [TKA00596]
- 71. Extension tube (2") [TKP27112]
- 74. Diagonal mirror (2") [TKA00543]
- 75. Adapter (DM) [TKA00111]
- 86. CCD