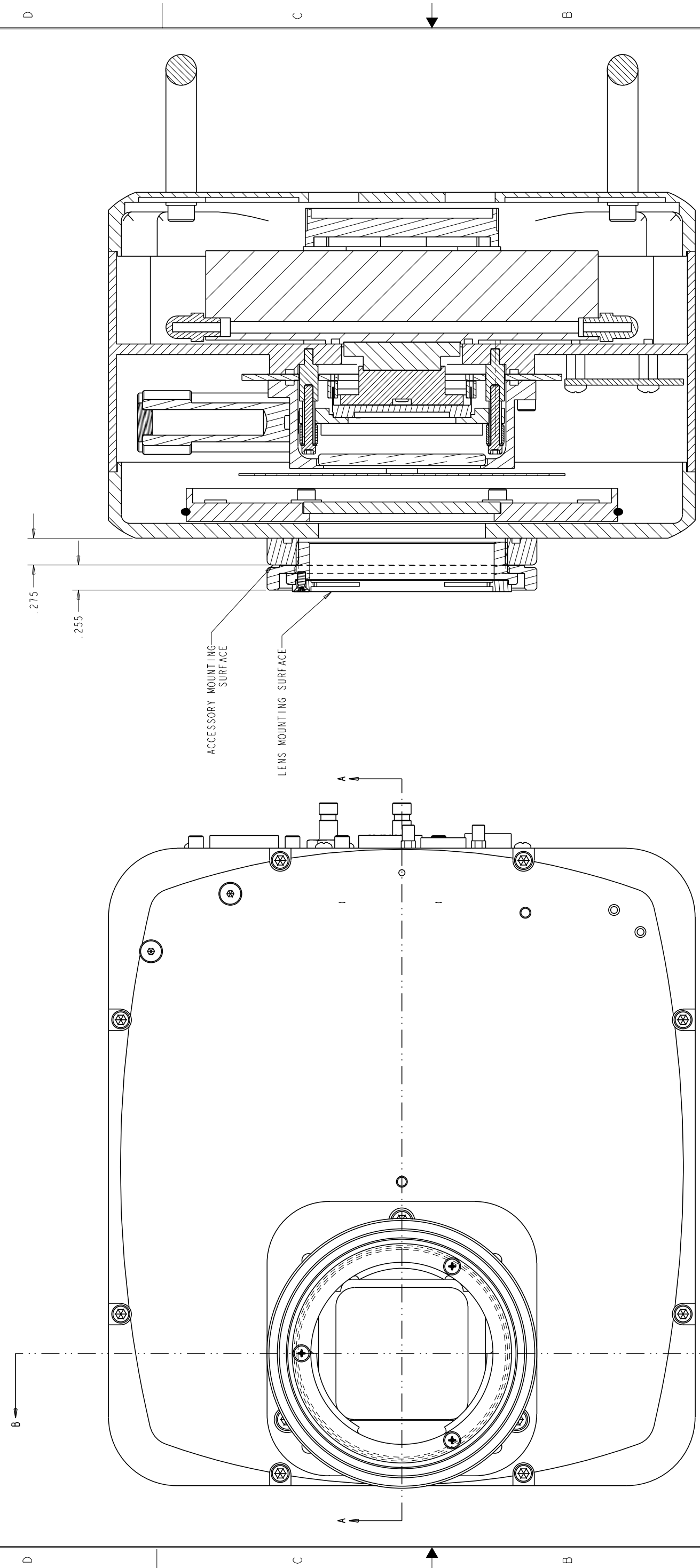


ZONE	REV	DESCRIPTION	DATE	APPROVED



SECTION B-B

MOUNTING INTERFACE DRAWING

NOTE:
DIMENSIONS SHOWN ARE NOMINAL.
ACTUAL DIMENSIONS MAY VARY FROM CAMERA
TO CAMERA DUE TO TOLERANCE CONDITIONS.

QTY. REQ.	CAGE CODE	PART OR IDENTIFYING NO.	CONTRACT NO.	APPROVALS	DATE	TITLE	MATERIAL SPECIFICATION	ITEM NO.
				DRAWN	9/10/02	ASTRONOMICAL INSTRUMENTS		
INTERPRET DWG PER ANSI Y14.5 UNLESS OTHERWISE SPECIFIED DIMENSIONS ARE IN INCHES TOLERANCES ARE: ANGULAR ± .5° DECIMAL .X ± .1 .XX ± .01 .XXX ± .005 HOLES ϕ .500 ± .001 SURFACE 63 ROUGHNESS ✓ BREAK CORNERS .005-.020 FILLET RADI .005-.020 DO NOT SCALE DRAWING				CHECKED		CAMERA, LARGE FORMAT, 1001 (NIKON LENS MOUNT)		
				ISSUED		SIZE CAGE CODE	DWG. NO.	REV.
						D	2400	-
				NEXT ASSY USED ON		SCALE	SHEET 1 OF 1	
				APPLICATION				