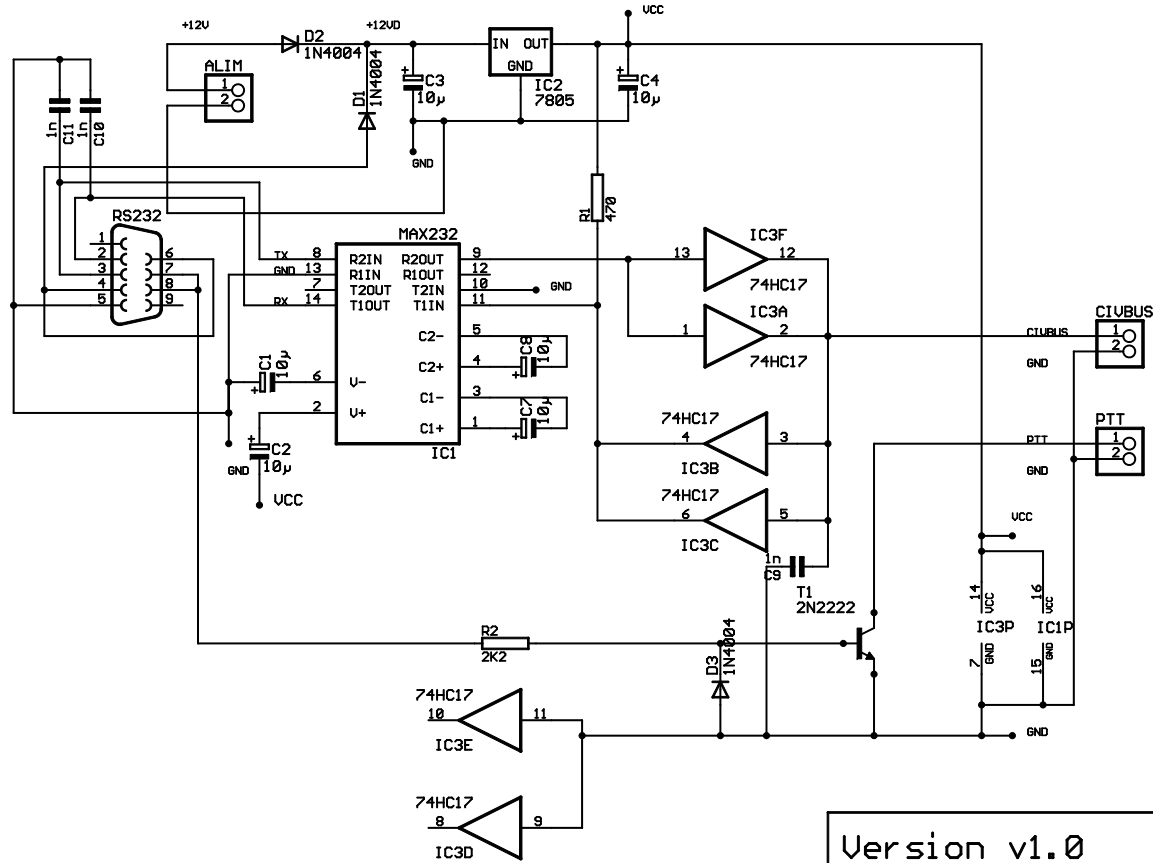


Note v1.0 and v2.0 only differ by pcb shape & case, and regulator used



Version v1.0

TITLE: ICOMCI-V

Document Number:

REV:

Date: 12/12/2008 21:32:40

Sheet: 1/1