

# To/From Encoders

**RA**  
 COD\_RA-4 VCC  
 CHA COD\_RA-3  
 CHB COD\_RA-2  
 GND COD\_RA-1

**DEC**  
 CO\_DEC-4 VCC  
 CHA COD\_DEC-3  
 CHB COD\_DEC-2  
 GND CO\_DEC-1

# Power amplifiers for motors

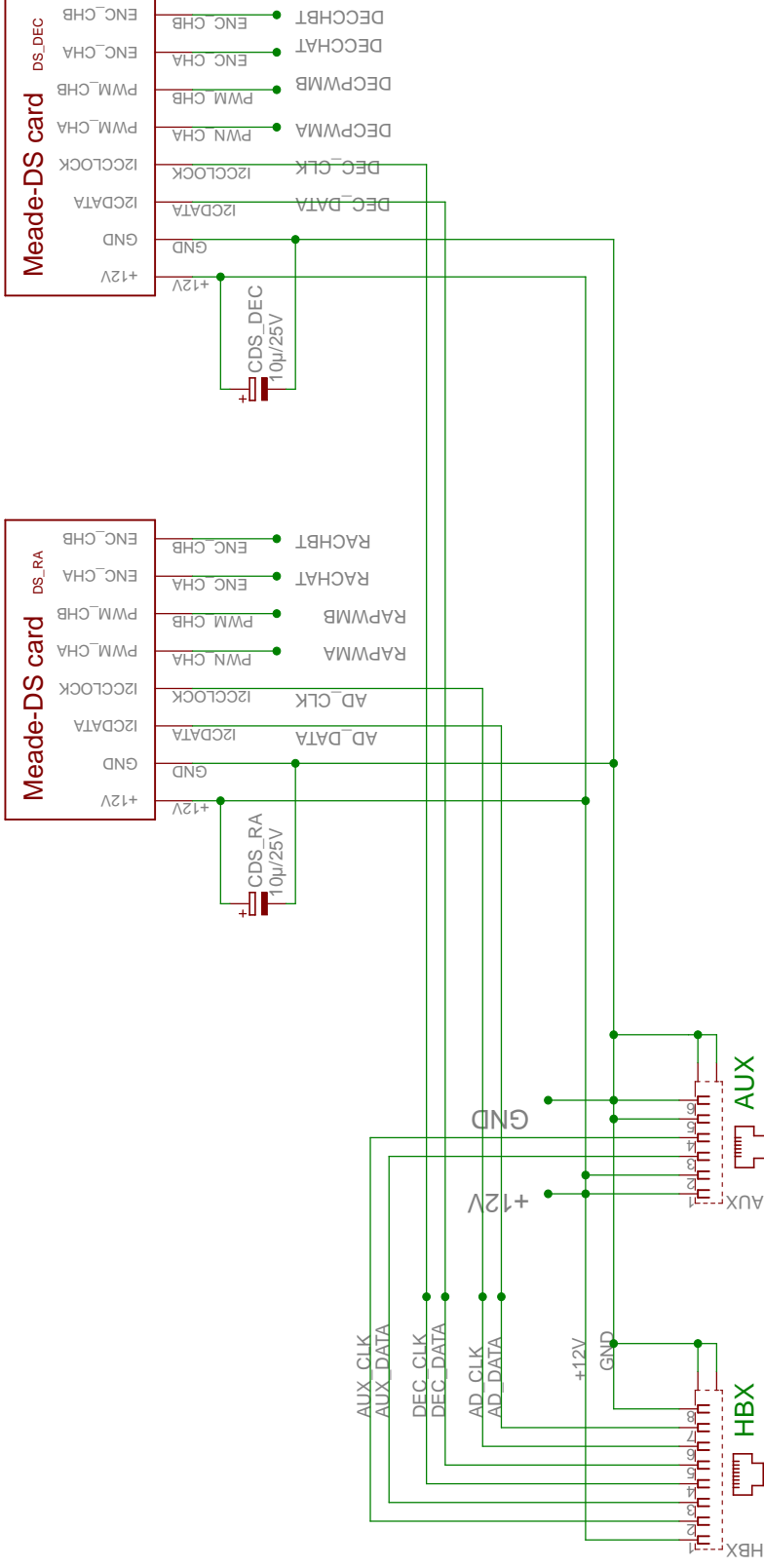
TITLE: Autostar

Document Number:

REV:

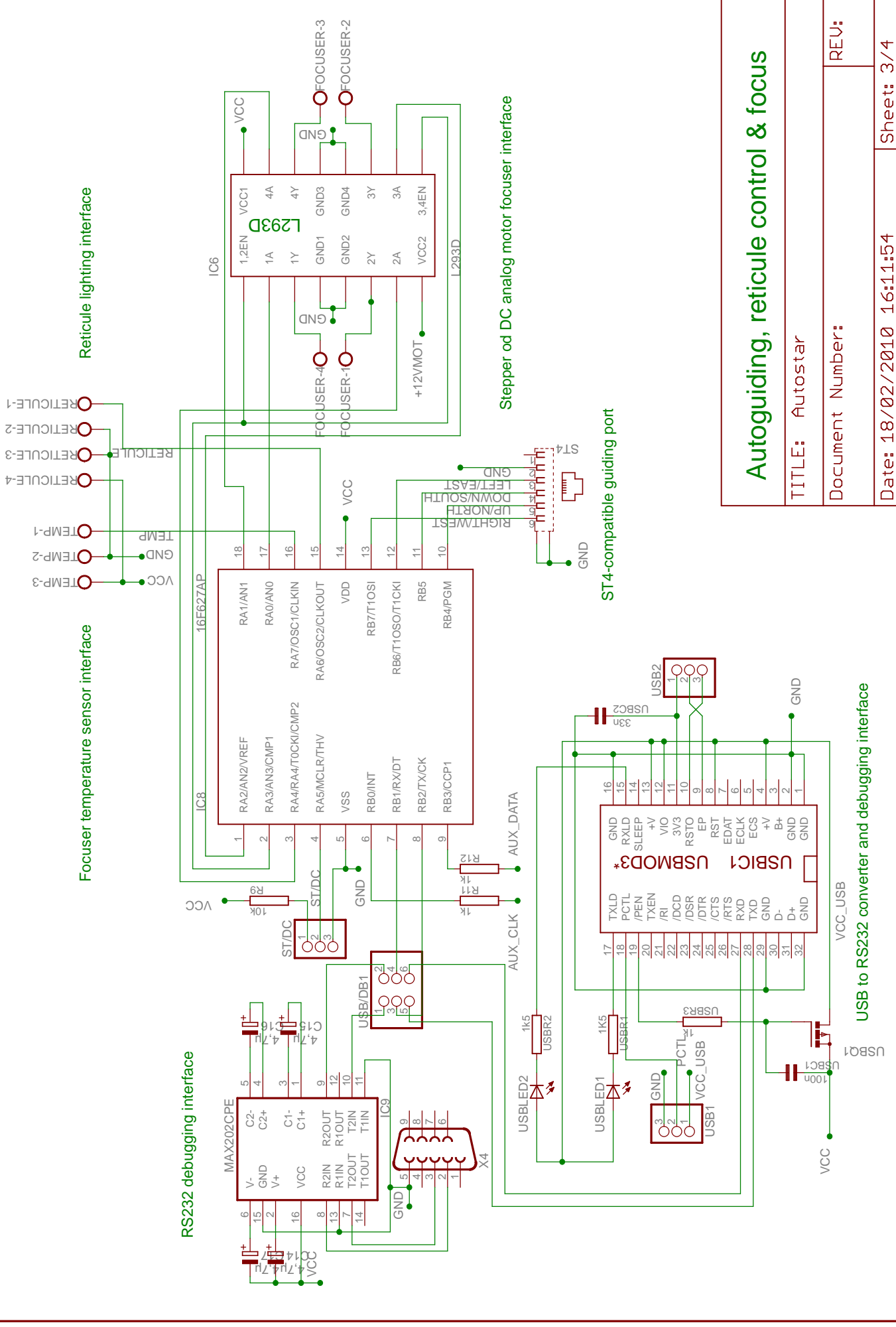
Date: 18/02/2010 16:11:54

Sheet: 1/4



# Logical interfaces

TITLE: Autostar	
Document Number:	REV:
Date: 18/02/2010 16:11:54	Sheet: 2 / 4



# Autoguiding, reticule control & focus

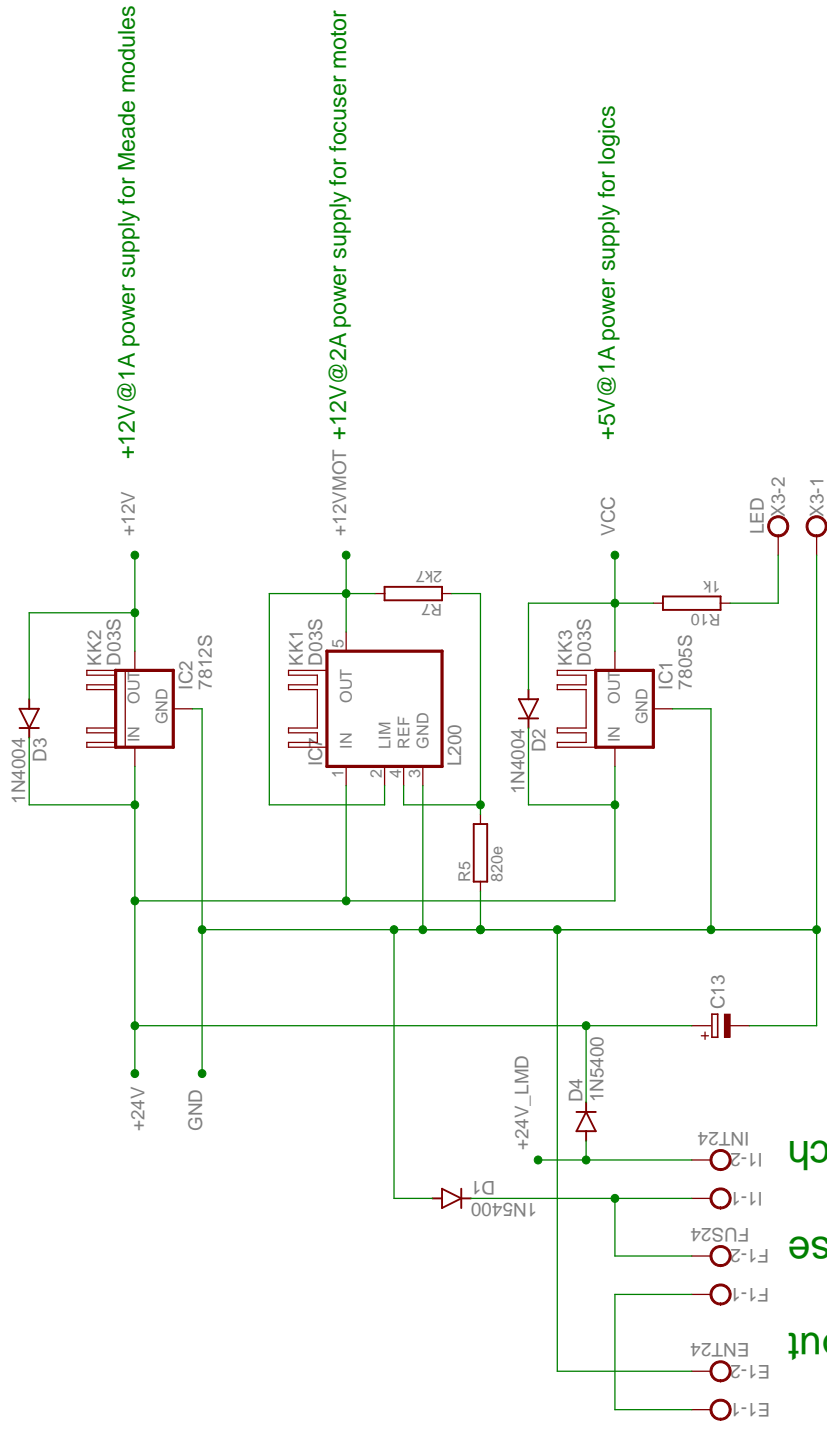
TITLE: Autostar

Document Number:

REV:

Date: 18/02/2010 16:11:54

Sheet: 3 / 4



Note: Diode D1 is meant to blow fuse in case of power polarity reversal

Note: Diode D2 acts as a decoupler from the power amplifiers for the three regulators

## Supplies & protections

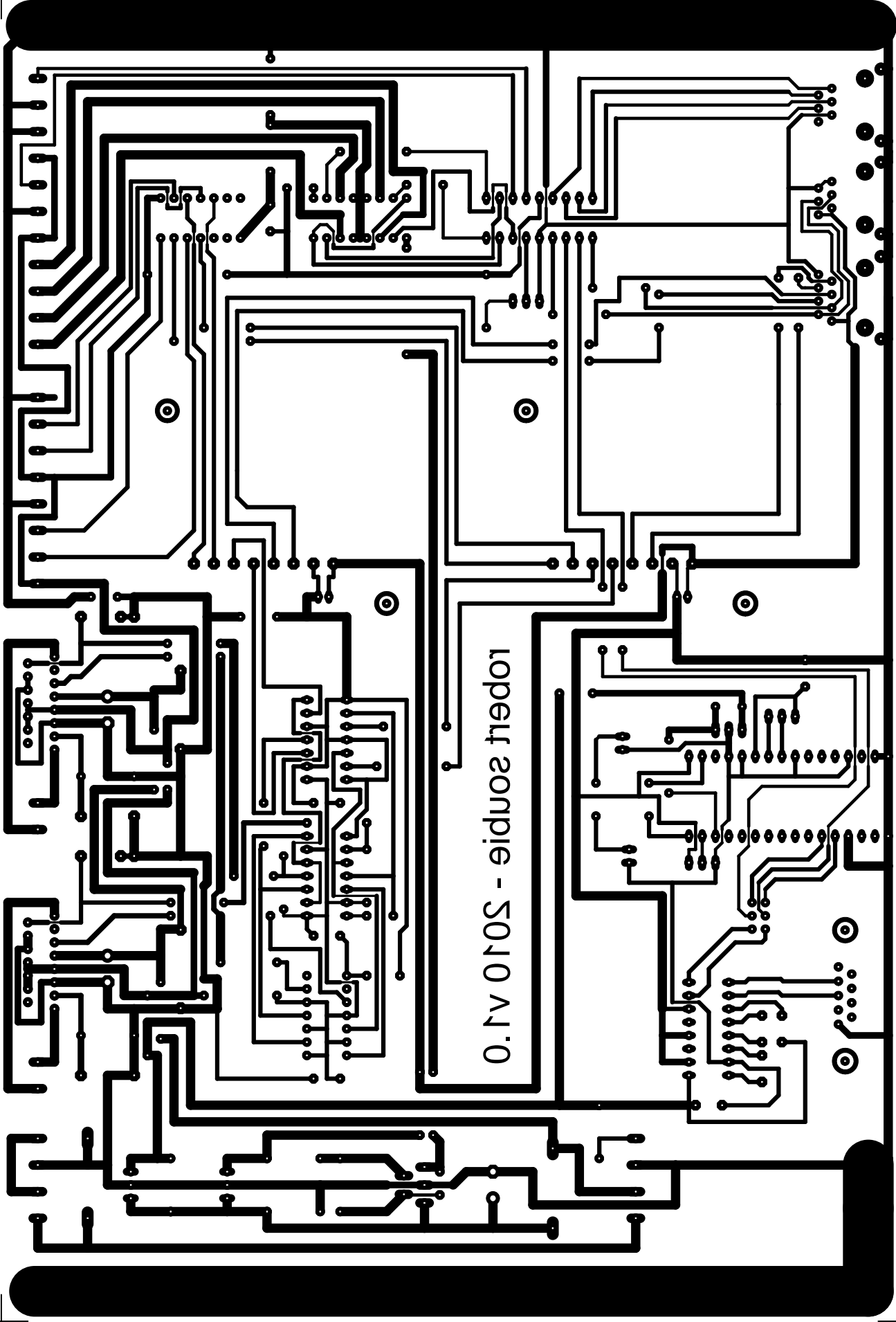
TITLE: Autostar

Document Number:

REV:

Date: 18/02/2010 16:11:54

Sheet: 4/4



0.1v 010S - eiduo2 tnedo1

